

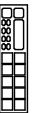
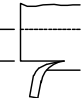











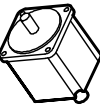


|                                  |        |        |      |            |
|----------------------------------|--------|--------|------|------------|
| <b>SIRUBA</b><br>GAGE PARTS LIST | Series | Remark | Page | Date       |
|                                  | DL7000 | RM1    | 1/2  | conversion |

**DL7000-RM1規格件表/CONVERSION CHART**

1/2

|                                                                                   |                                                                                   |                                                                                   |                                                                                   |                                                                                   |                                                                                   |                                                                                    |                                                                                     |                                                                                     |                                                                                     |                                                                                     |                                                                                     |                                                                                     |                                                                                     |                                                                                     |                                                                                     |
|-----------------------------------------------------------------------------------|-----------------------------------------------------------------------------------|-----------------------------------------------------------------------------------|-----------------------------------------------------------------------------------|-----------------------------------------------------------------------------------|-----------------------------------------------------------------------------------|------------------------------------------------------------------------------------|-------------------------------------------------------------------------------------|-------------------------------------------------------------------------------------|-------------------------------------------------------------------------------------|-------------------------------------------------------------------------------------|-------------------------------------------------------------------------------------|-------------------------------------------------------------------------------------|-------------------------------------------------------------------------------------|-------------------------------------------------------------------------------------|-------------------------------------------------------------------------------------|
|  |  |  |  |  |  |  |  |  |  |  |  |  |  |  |  |
| MODEL                                                                             | SUB-CLASS                                                                         | OPERATING PANEL                                                                   | GAUGE WIDTH                                                                       | NEEDLE PLATE                                                                      | FEED DOG                                                                          | PRESSER FOOT                                                                       | HOOK ASM                                                                            | BOBBIN CASE ASM                                                                     | BOBBIN                                                                              | THROAT PLATE CHIP GUARD                                                             | NEEDLE                                                                              | THREAD GUIDE                                                                        | THROAT PLATE COVER                                                                  | HAND WHEEL                                                                          | MOTOR                                                                               |
| 機 型                                                                               | 規 格                                                                               | 操 作 盒                                                                             | 切 邊 距 離                                                                           | 針 板                                                                               | 送 具                                                                               | 押 具                                                                                | 梭 頭                                                                                 | 梭 殼                                                                                 | 梭 子                                                                                 | 下 導 布 架                                                                             | 針 號                                                                                 | 導 線 片                                                                               | 布 板 蓋                                                                               | 皮 帶 輪                                                                               | 馬 達                                                                                 |
| DL7000-RM1-32-10<br>2                                                             | 32                                                                                |                                                                                   | 1/8" (3.2mm)                                                                      | E705Q<br>(E705S)                                                                  | D705<br>(D702)                                                                    | P705<br>(P701)                                                                     | G121                                                                                | G202                                                                                | G303                                                                                | LR254D<br>(LR254)                                                                   | DBX1#14                                                                             | LR141S                                                                              | {LR106S-E}<br>(LR106)                                                               | LH500-E                                                                             | T50D8S11                                                                            |
| DL7000-RM1-40-10<br>2                                                             | 40                                                                                | LU280-A                                                                           |                                                                                   | E705R<br>(E705Q)                                                                  | D705                                                                              | P705                                                                               | G121                                                                                | G202                                                                                | G303                                                                                | LR254D                                                                              | DBX1#14                                                                             | LR141S                                                                              | (LR106-E)                                                                           |                                                                                     |                                                                                     |
| DL7000-RM1-40-13                                                                  |                                                                                   |                                                                                   | 5/32" (4.0mm)                                                                     |                                                                                   |                                                                                   |                                                                                    |                                                                                     |                                                                                     |                                                                                     |                                                                                     |                                                                                     |                                                                                     |                                                                                     |                                                                                     |                                                                                     |

( ) 之規格件放於夾線裝于成車箱內, BOM 表編號40站.

# SIRUBA

## GAGE PARTS LIST

Series  
**DL7000**

Remark  
**RM1**

Page  
**2/2**

Date  
**2018/01/01**

### DL7000-RM1規格件表/CONVERSION CHART

2/2

| MODEL                                             | SUB-CLASS | OPERATING PANEL | GAUGE WIDTH  | NEEDLE PLATE     | FEED DOG       | PRESSER FOOT   | HOOK ASM | BOBBIN CASE ASM | BOBBIN | THROAT PLATE CHIP GUARD | NEEDLE  | THREAD GUIDE                    | THROAT PLATE COVER | HAND WHEEL | MOTOR     |
|---------------------------------------------------|-----------|-----------------|--------------|------------------|----------------|----------------|----------|-----------------|--------|-------------------------|---------|---------------------------------|--------------------|------------|-----------|
| 機 型                                               | 規 格       | 操 作 盒           | 切 邊 距 離      | 針 板              | 送 具            | 押 具            | 梭 頭      | 梭 殼             | 梭 子    | 下 導 布 架                 | 針 號     | 導 線 片                           | 布 板 蓋              | 皮 帶 輪      | 馬 達       |
| DL7000-RM1-48-10 <sup>2</sup><br>DL7000-RM1-48-13 | 48        |                 | 3/16"(4.8mm) | E705<br>(E705Q)  | D705           | P705           | G121     | G202            | G303   | LR254D                  | DBX1#14 | LR141S<br>(LR106-E)             |                    |            |           |
| DL7000-RM1-64-10 <sup>2</sup><br>DL7000-RM1-64-13 | 64        | LU280-A         | 1/4"(6.4mm)  | E705S<br>(E705Q) | D702<br>(D70Q) | P701<br>(P70Q) | G121     | G202            | G303   | LR254<br>(LR254D)       | DBX1#14 | LR141S<br>(LR106-E)<br>(LR106S) |                    | LH500-E    | T50DD8511 |
| DL7000-RM1-95-10 <sup>2</sup><br>DL7000-RM1-95-13 | 95        |                 | 3/8"(9.5mm)  | E705T<br>(E705Q) | D702<br>(D70Q) | P701<br>(P70Q) | G121     | G202            | G303   | LR254<br>(LR254D)       | DBX1#14 | LR141S<br>(LR106T-E)<br>(LR106) |                    |            |           |

( ) 之規格件放於夾鏈袋裝于成車箱內, BOM 表編號4.0站.

**SIRUBA**

PARTS LIST

Series

DL7000-RM1

Parts Group

LA

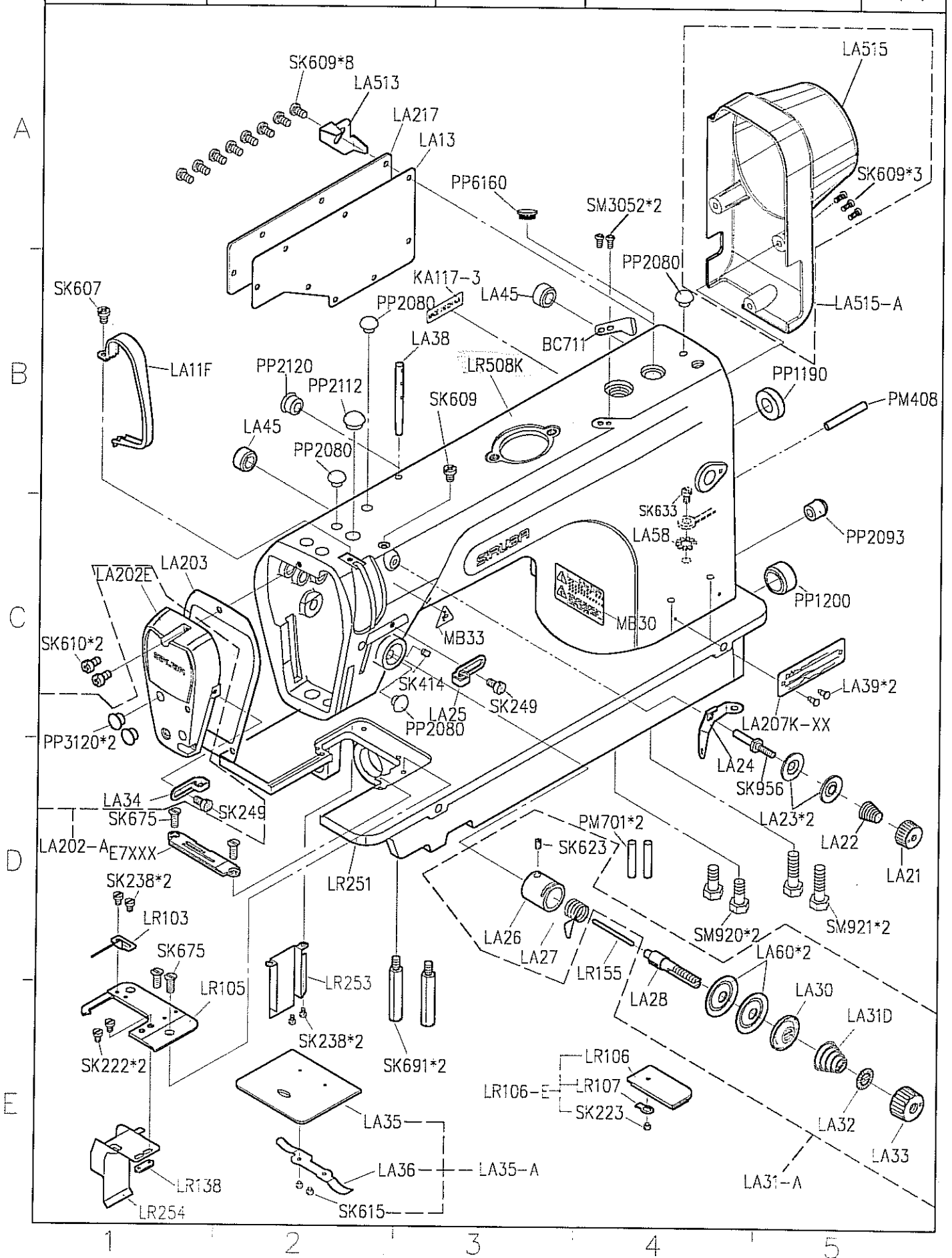
Subclass / Remark

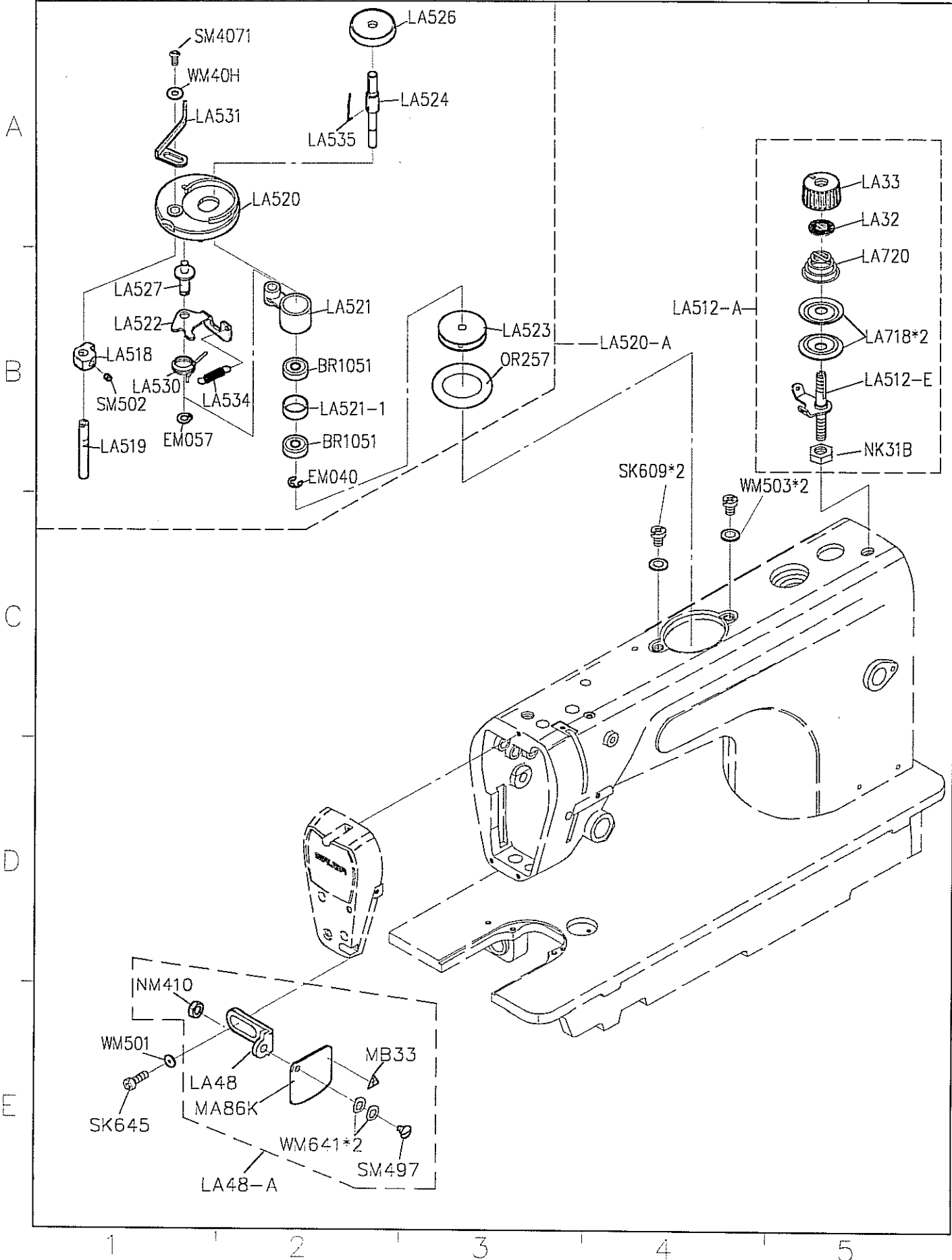
Page

1/2

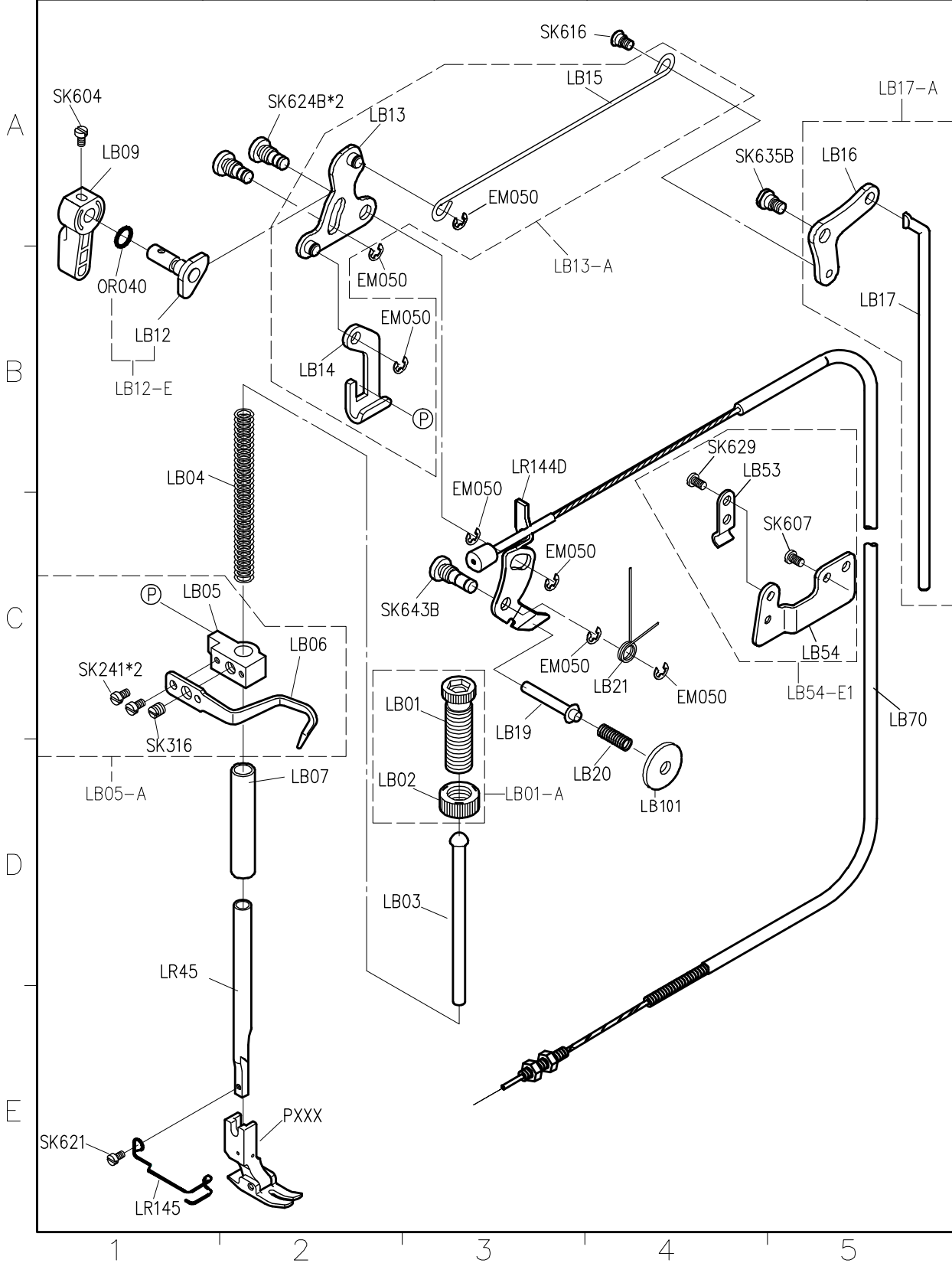
Date

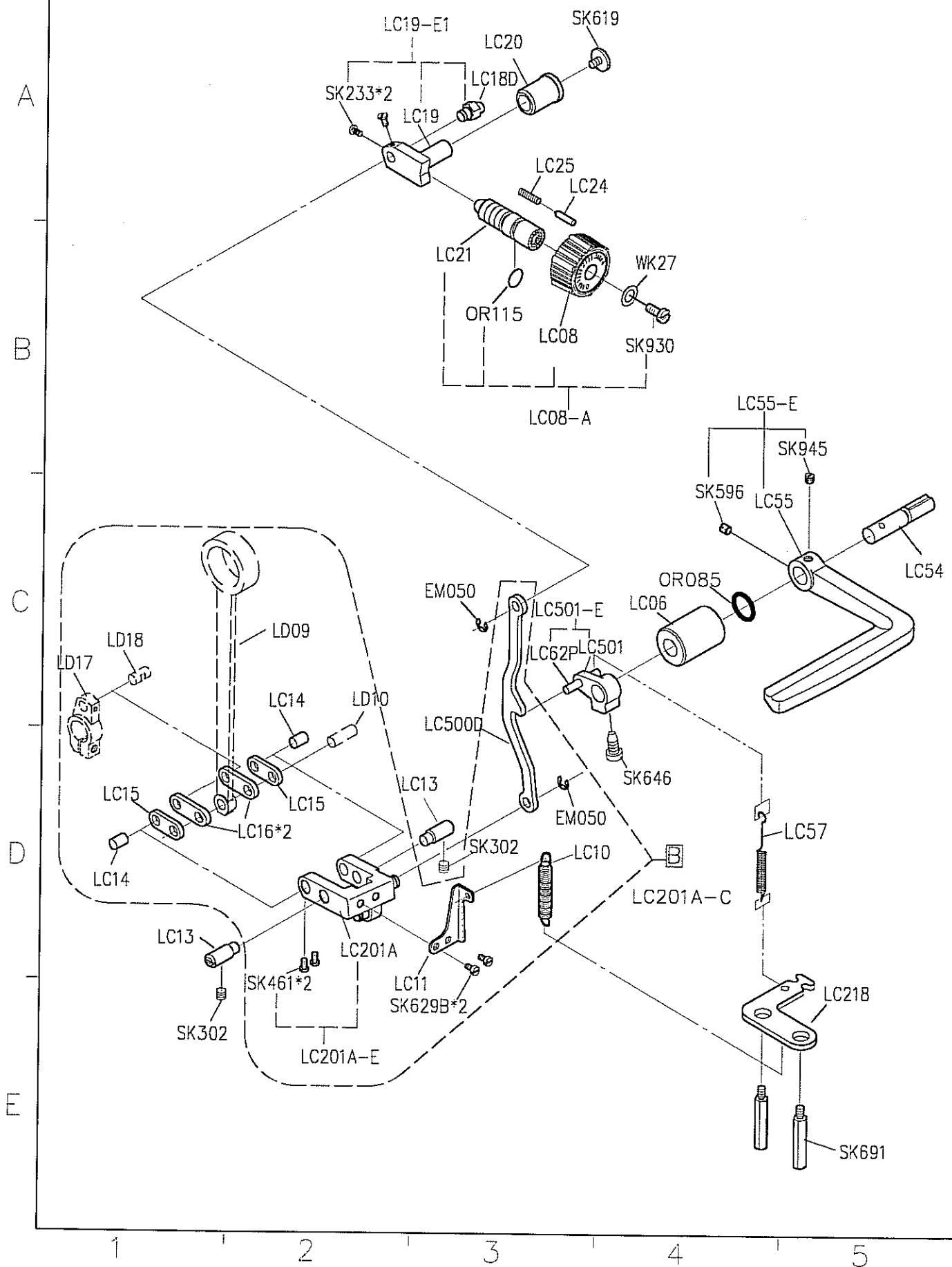
2013/08/19



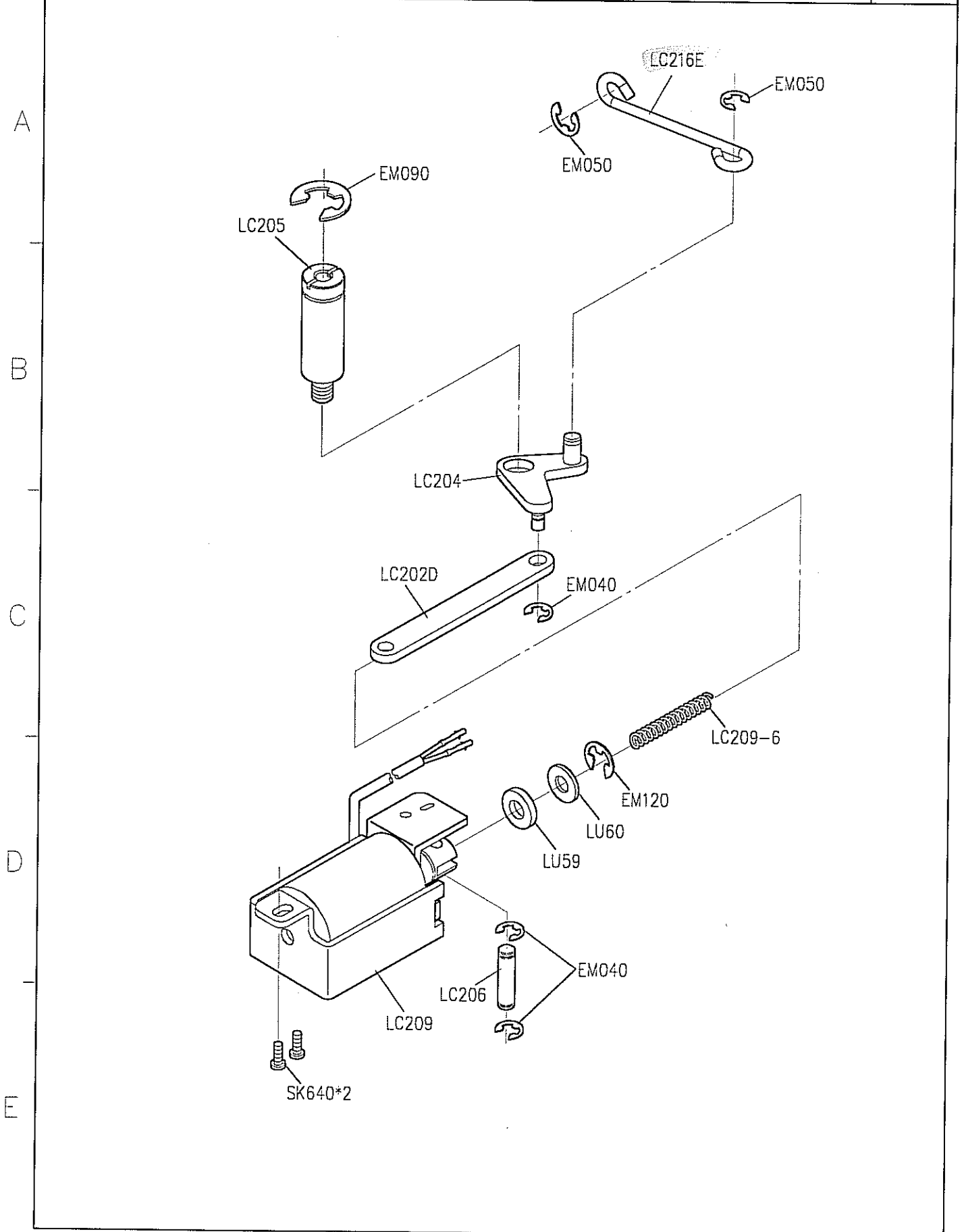


| SIRUBA<br>PARTS LIST | Series     | Parts Group | Subclass / Remark | Page       |
|----------------------|------------|-------------|-------------------|------------|
|                      | DL7000-RM1 | LB          |                   | 1/1        |
|                      |            |             |                   | Date       |
|                      |            |             |                   | 2013/01/01 |



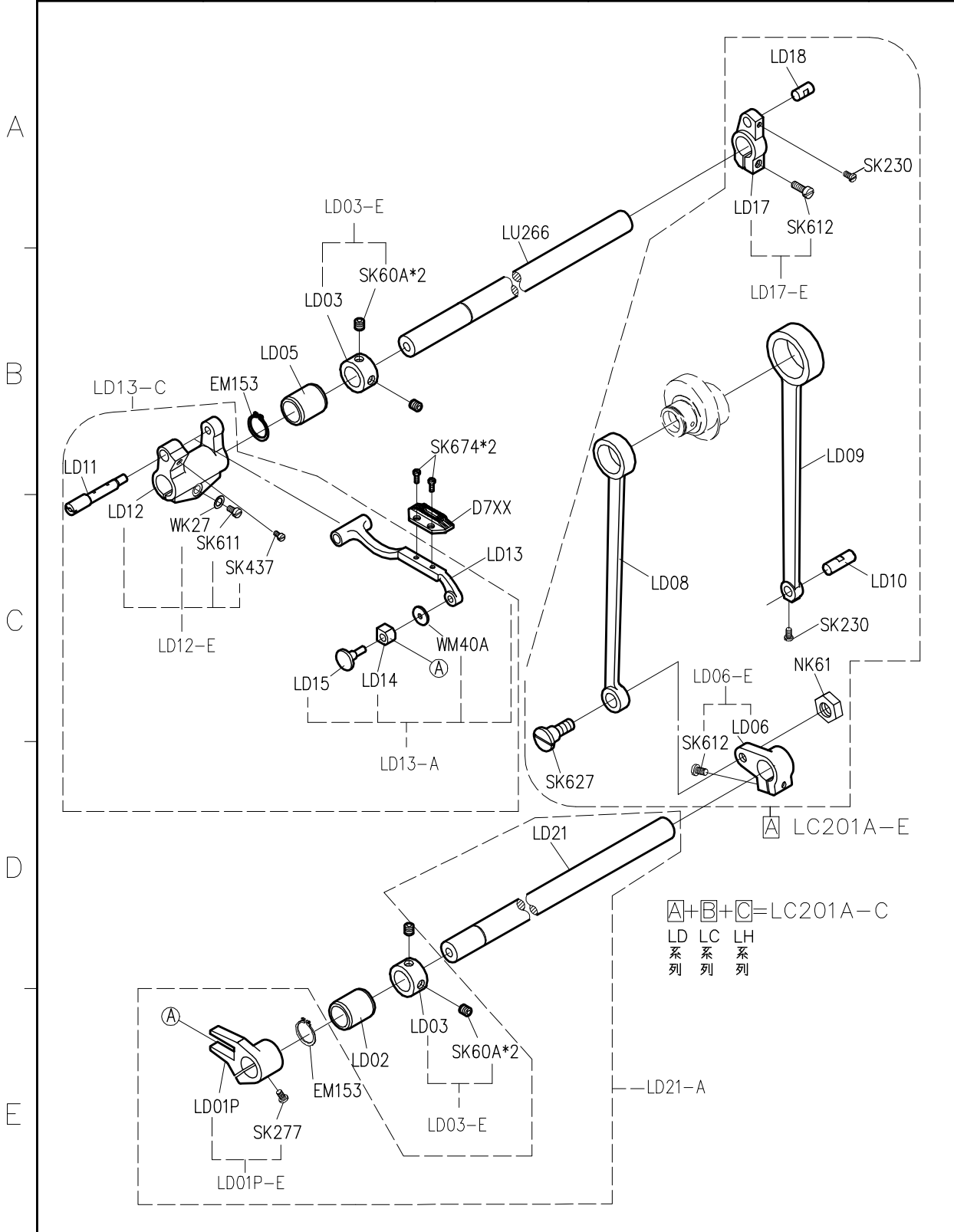


|                             |            |             |                   |            |
|-----------------------------|------------|-------------|-------------------|------------|
| <b>SIRUBA</b><br>PARTS LIST | Series     | Parts Group | Subclass / Remark | Page       |
|                             | DL7000-RM1 | <b>LC</b>   |                   | 2/2        |
|                             |            |             |                   | Date       |
|                             |            |             |                   | 2013/09/13 |



1 2 3 4 5

|                                    |               |                    |                          |             |
|------------------------------------|---------------|--------------------|--------------------------|-------------|
| <b>SIRUBA</b><br><b>PARTS LIST</b> | <b>Series</b> | <b>Parts Group</b> | <b>Subclass / Remark</b> | <b>Page</b> |
|                                    | DL7000-RM1    | LD                 |                          | 1/1         |
|                                    |               |                    |                          | Date        |
|                                    |               |                    |                          | 2013/01/01  |



1 2 3 4 5



**SIRUBA**  
**PARTS LIST**

**Series**  
DL7000-RM1

**Parts Group**  
**LE**

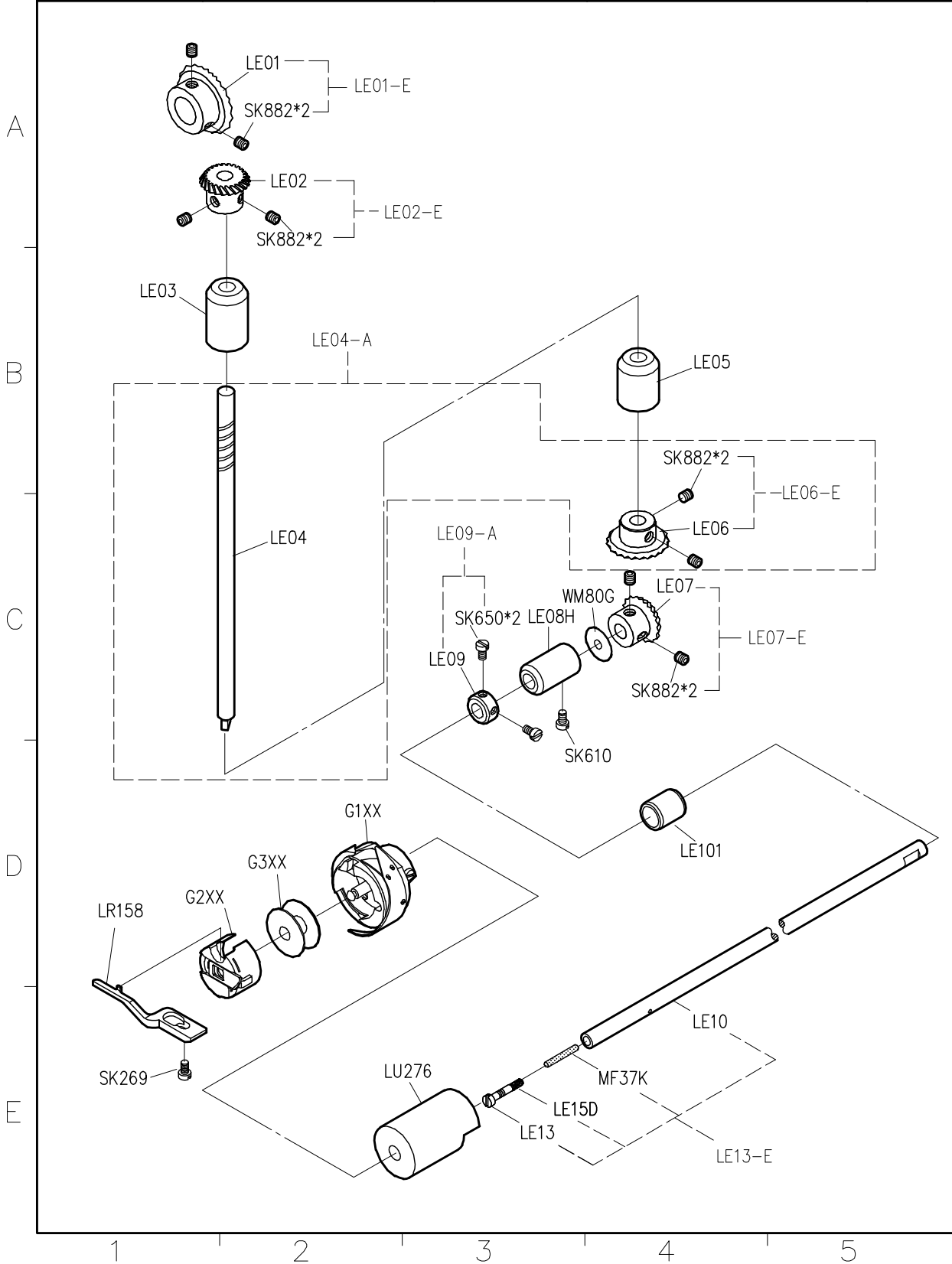
**Subclass / Remark**

**Page**

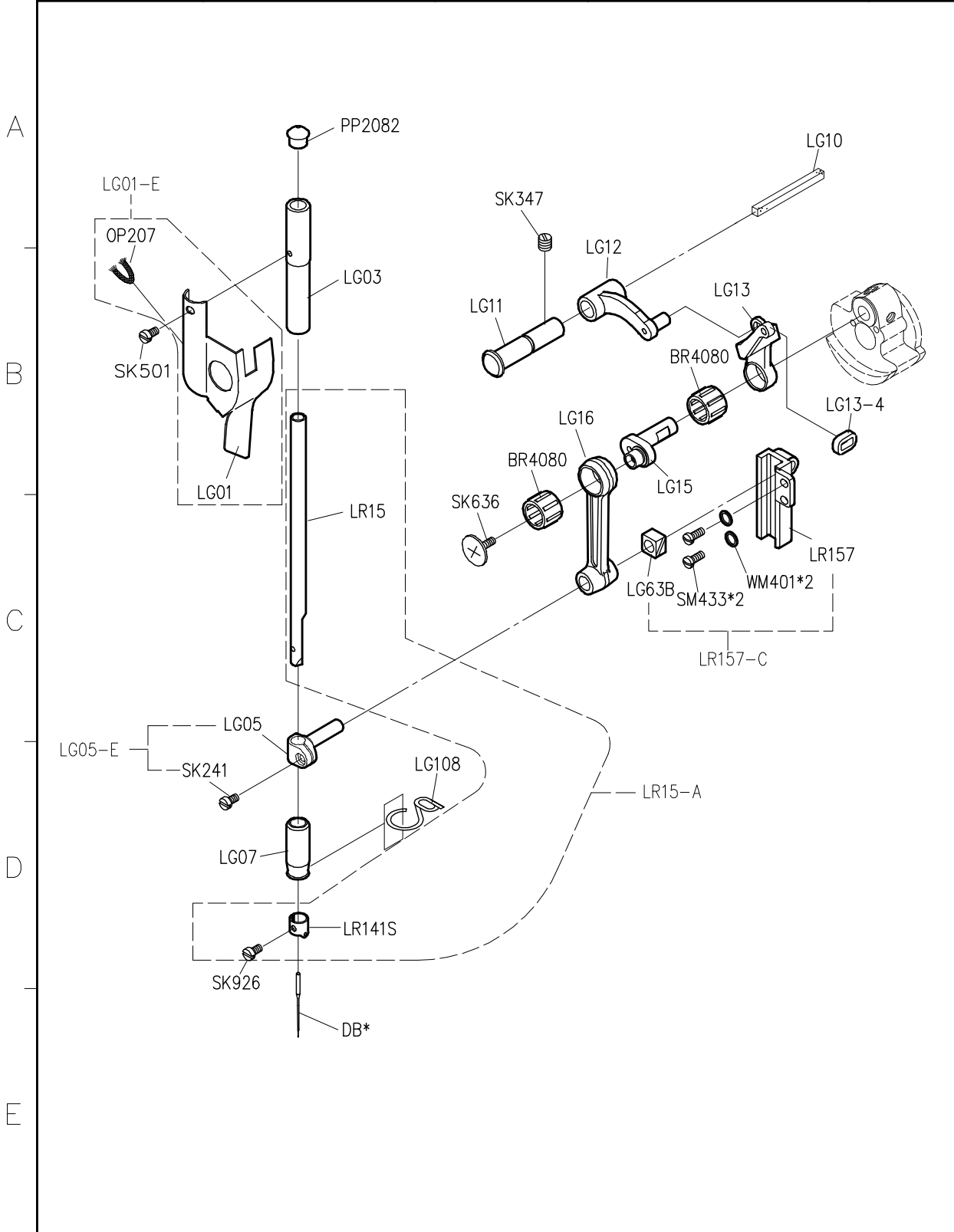
1/1

**Date**

2013/01/10

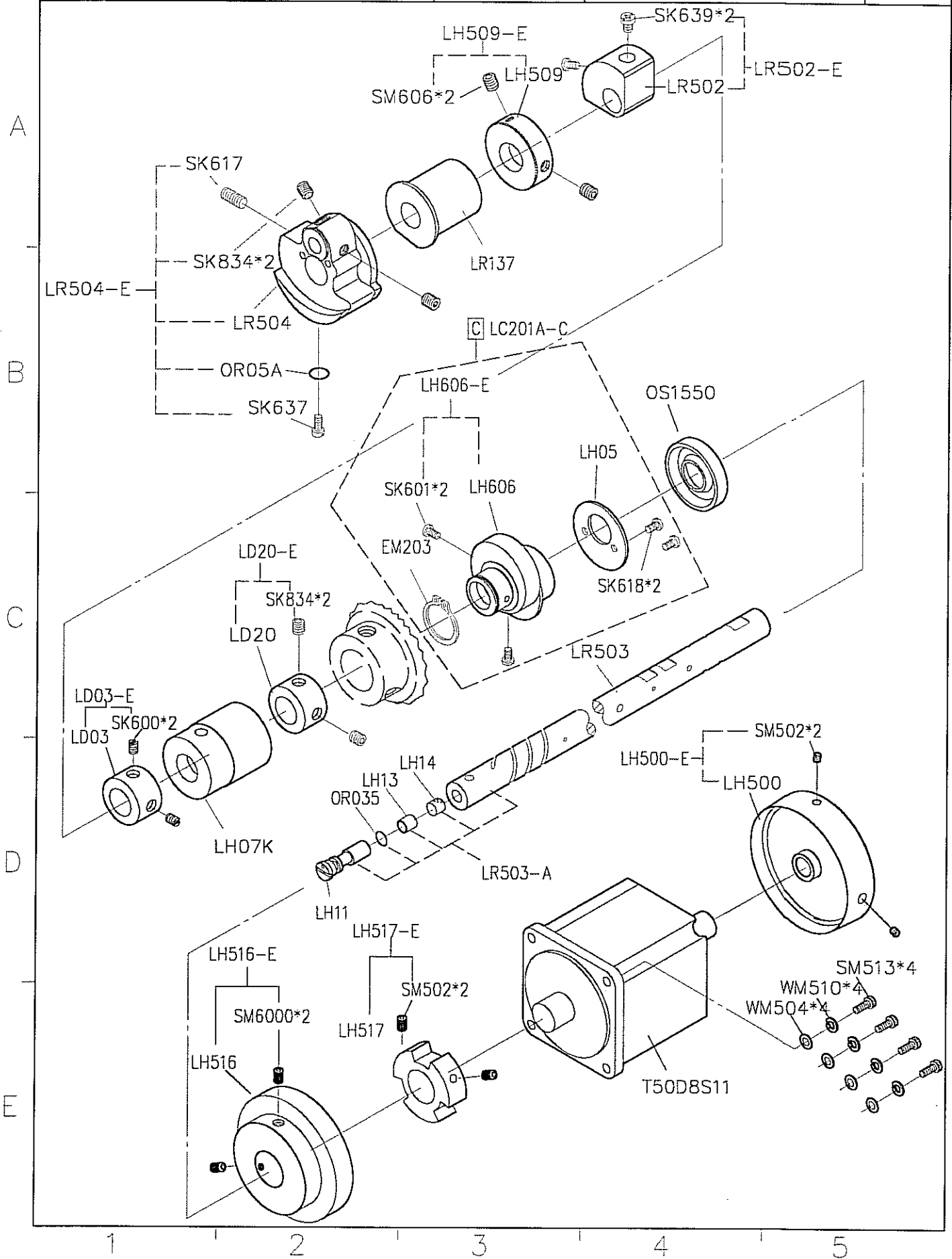


|                                    |               |                    |                          |             |
|------------------------------------|---------------|--------------------|--------------------------|-------------|
| <b>SIRUBA</b><br><b>PARTS LIST</b> | <b>Series</b> | <b>Parts Group</b> | <b>Subclass / Remark</b> | <b>Page</b> |
|                                    | DL7000-RM1    | LG                 |                          | 1/1         |
|                                    |               |                    |                          | <b>Date</b> |
|                                    |               |                    |                          | 2013/01/01  |

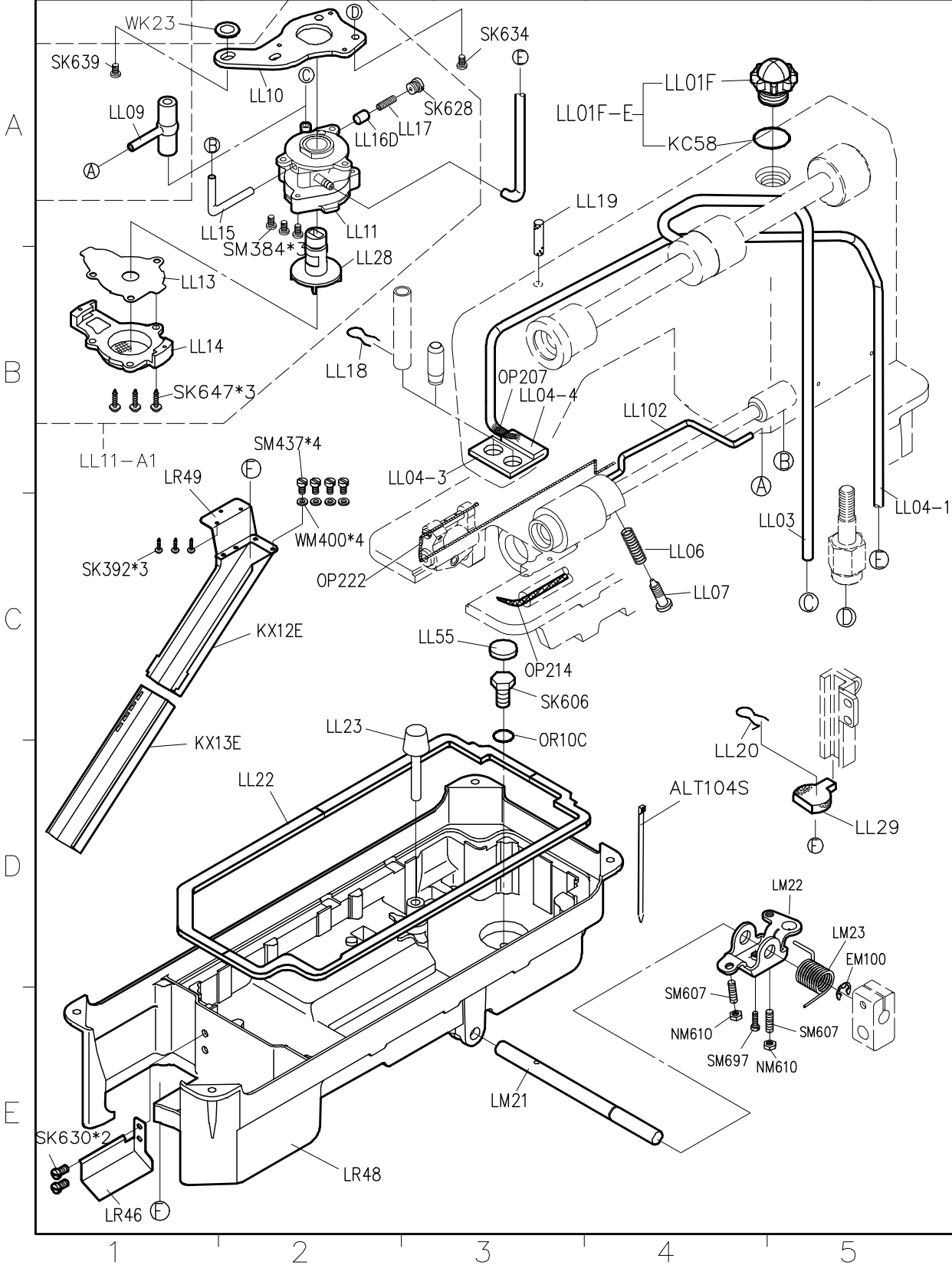


1 2 3 4 5

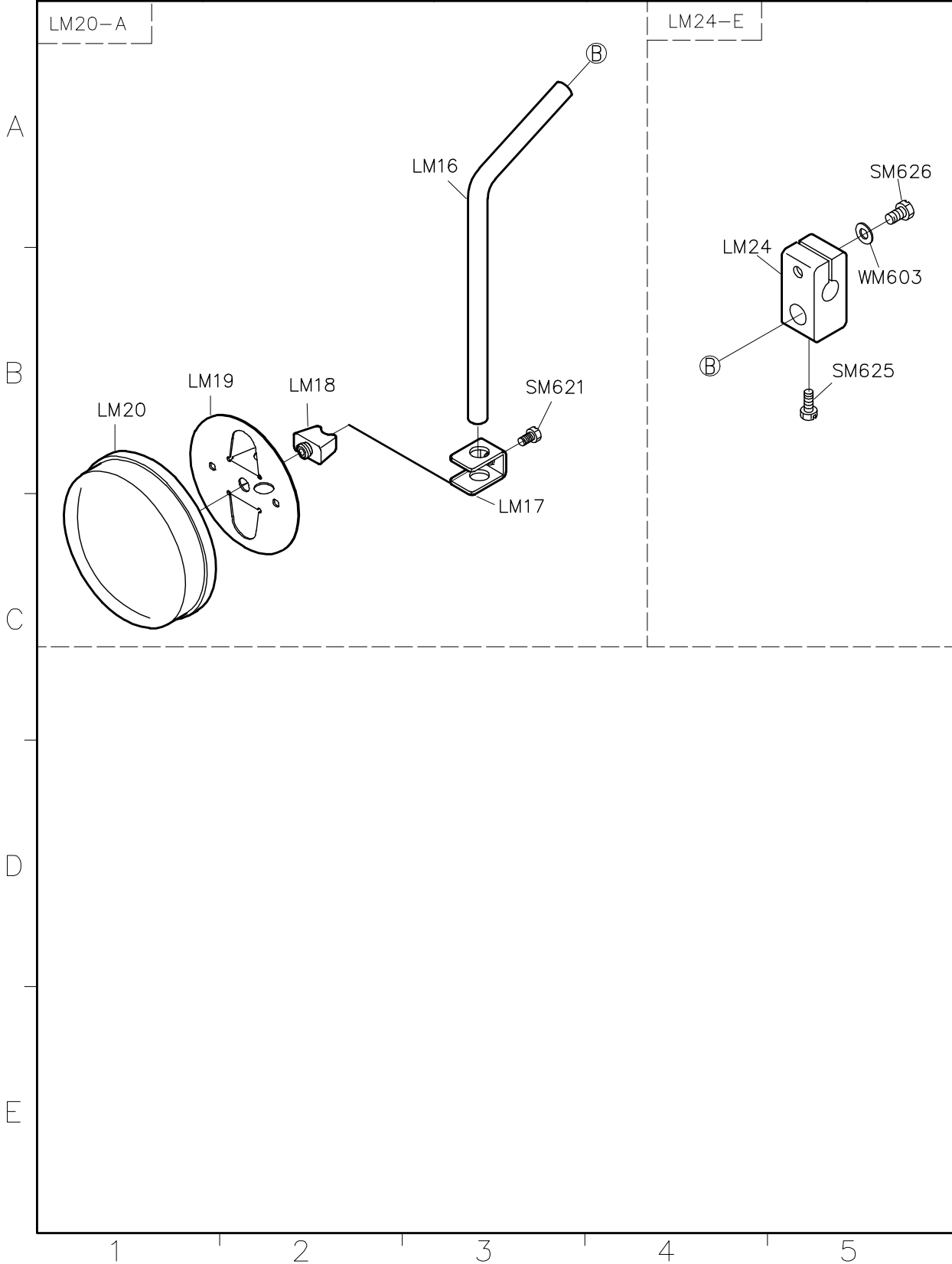
|                             |            |             |                   |            |
|-----------------------------|------------|-------------|-------------------|------------|
| <b>SIRUBA</b><br>PARTS LIST | Series     | Parts Group | Subclass / Remark | Page       |
|                             | DL7000-RM1 | <b>LH</b>   |                   | 1/1        |
|                             |            |             |                   | Date       |
|                             |            |             |                   | 2014/03/21 |



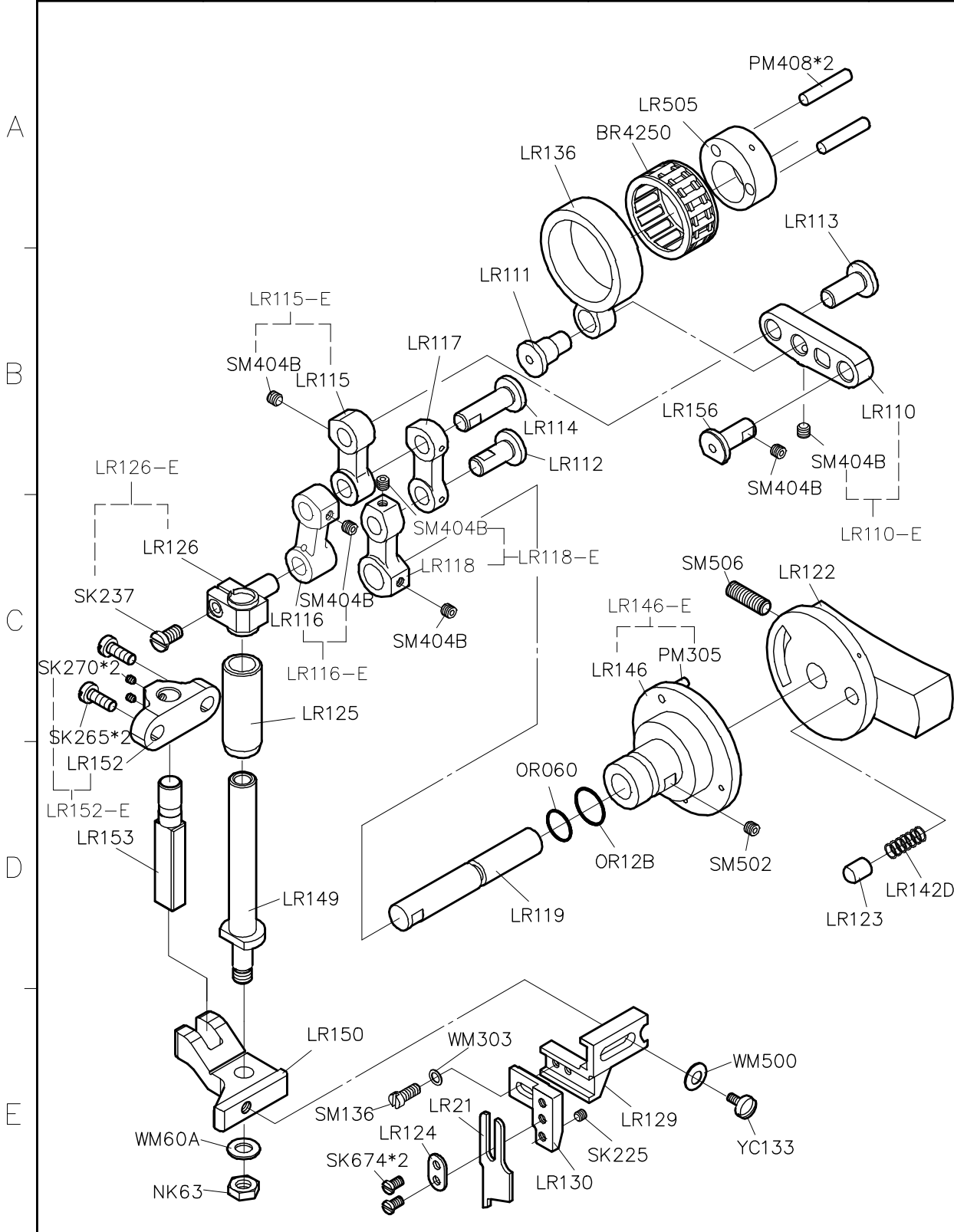
|                                    |               |                    |                          |             |
|------------------------------------|---------------|--------------------|--------------------------|-------------|
| <b>SIRUBA</b><br><b>PARTS LIST</b> | <b>Series</b> | <b>Parts Group</b> | <b>Subclass / Remark</b> | <b>Page</b> |
|                                    | DL7000-RM1    | LL                 |                          | 1/1         |
|                                    |               |                    |                          | <b>Date</b> |
|                                    |               |                    |                          | 2013/01/01  |



|                                    |                   |                    |                          |             |
|------------------------------------|-------------------|--------------------|--------------------------|-------------|
| <b>SIRUBA</b><br><b>PARTS LIST</b> | <b>Series</b>     | <b>Parts Group</b> | <b>Subclass / Remark</b> | <b>Page</b> |
|                                    | <b>DL7000-RM1</b> | <b>LM</b>          |                          | 1/1         |
|                                    |                   |                    |                          | <b>Date</b> |
|                                    |                   |                    |                          | 2013/01/01  |

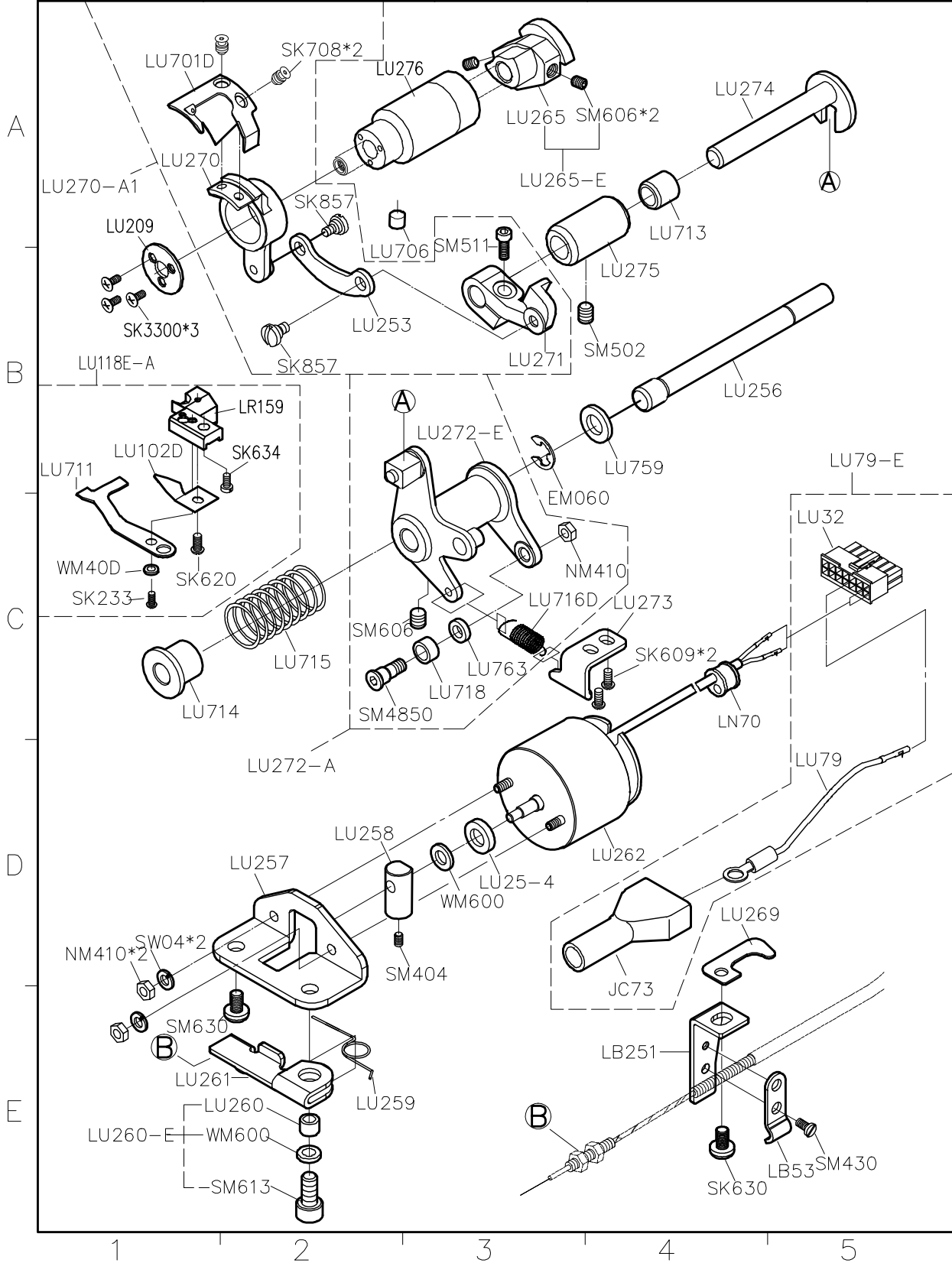


|                                    |                   |                    |                          |                   |
|------------------------------------|-------------------|--------------------|--------------------------|-------------------|
| <b>SIRUBA</b><br><b>PARTS LIST</b> | <b>Series</b>     | <b>Parts Group</b> | <b>Subclass / Remark</b> | <b>Page</b>       |
|                                    | <b>DL7000-RM1</b> | <b>LR</b>          |                          | <b>1/1</b>        |
|                                    |                   |                    |                          | <b>Date</b>       |
|                                    |                   |                    |                          | <b>2013/01/08</b> |



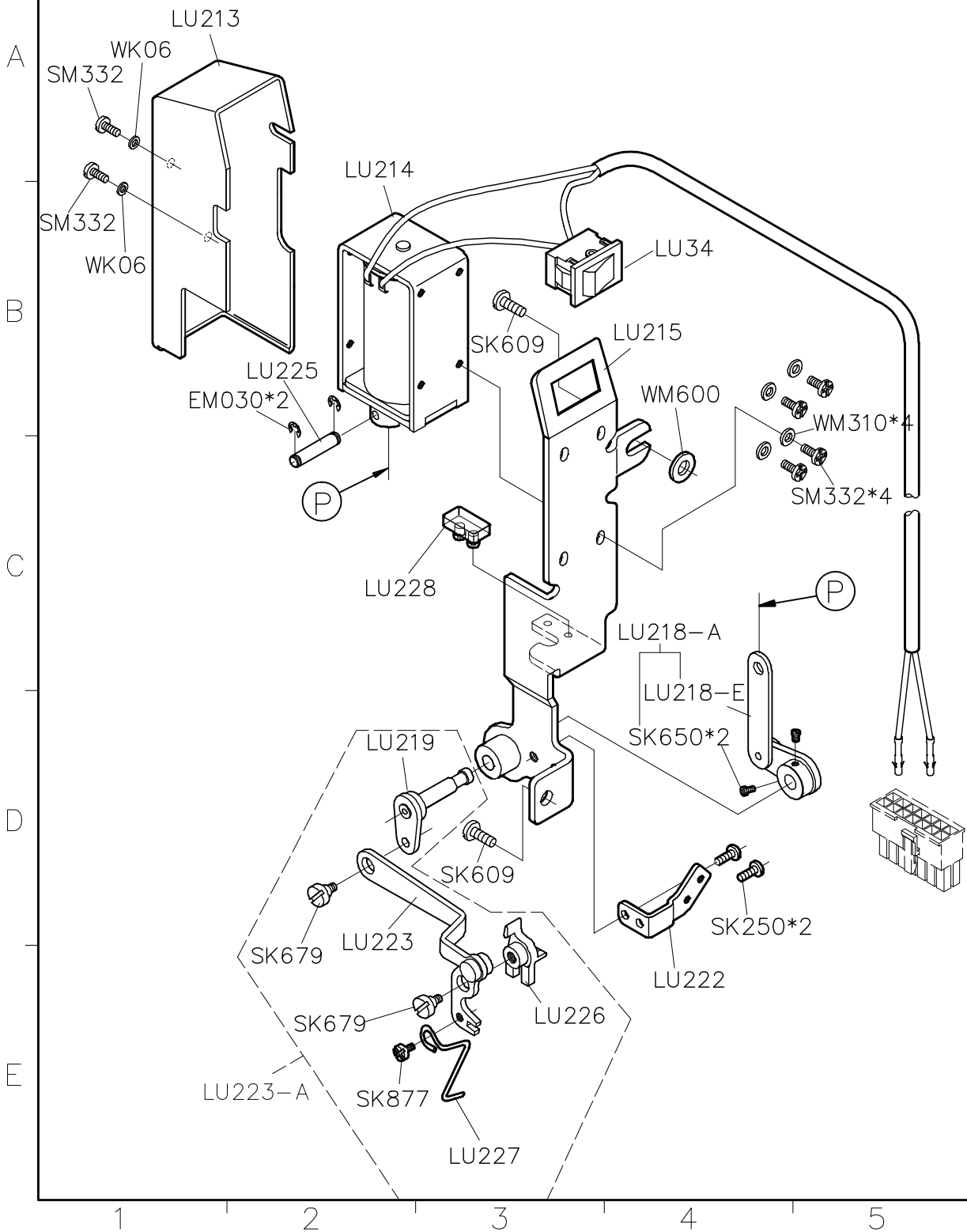
1 2 3 4 5

| SIRUBA<br>PARTS LIST | Series     | Parts Group | Subclass / Remark | Page       |
|----------------------|------------|-------------|-------------------|------------|
|                      | DL7000-RM1 | LU          |                   | 1/7        |
|                      |            |             |                   | Date       |
|                      |            |             |                   | 2013/01/01 |



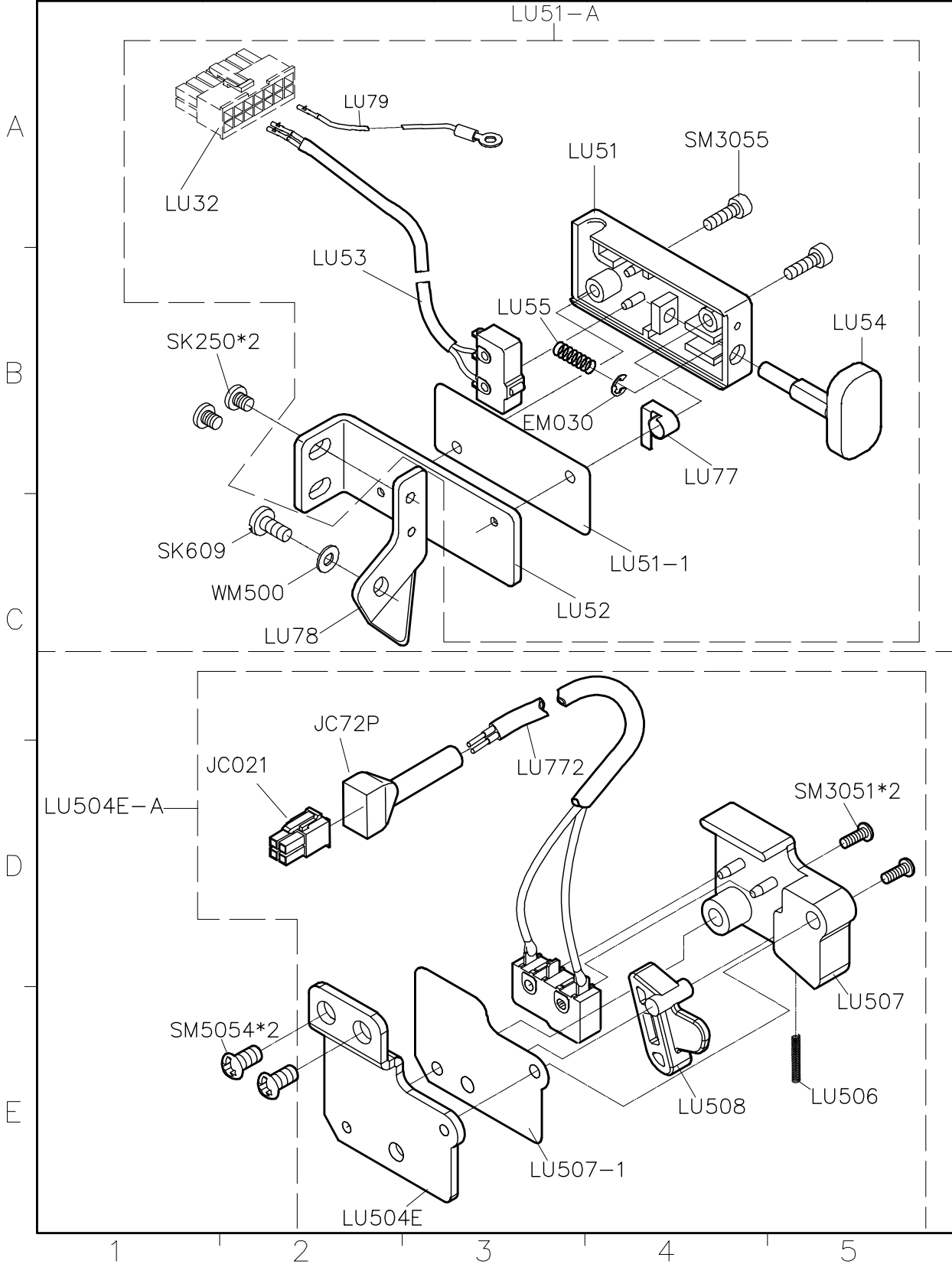
|                                    |                   |                    |                          |                   |
|------------------------------------|-------------------|--------------------|--------------------------|-------------------|
| <b>SIRUBA</b><br><b>PARTS LIST</b> | <b>Series</b>     | <b>Parts Group</b> | <b>Subclass / Remark</b> | <b>Page</b>       |
|                                    | <b>DL7000-RM1</b> | <b>LU</b>          |                          | <b>2/7</b>        |
|                                    |                   |                    |                          | <b>Date</b>       |
|                                    |                   |                    |                          | <b>2013/01/01</b> |

LU215-A

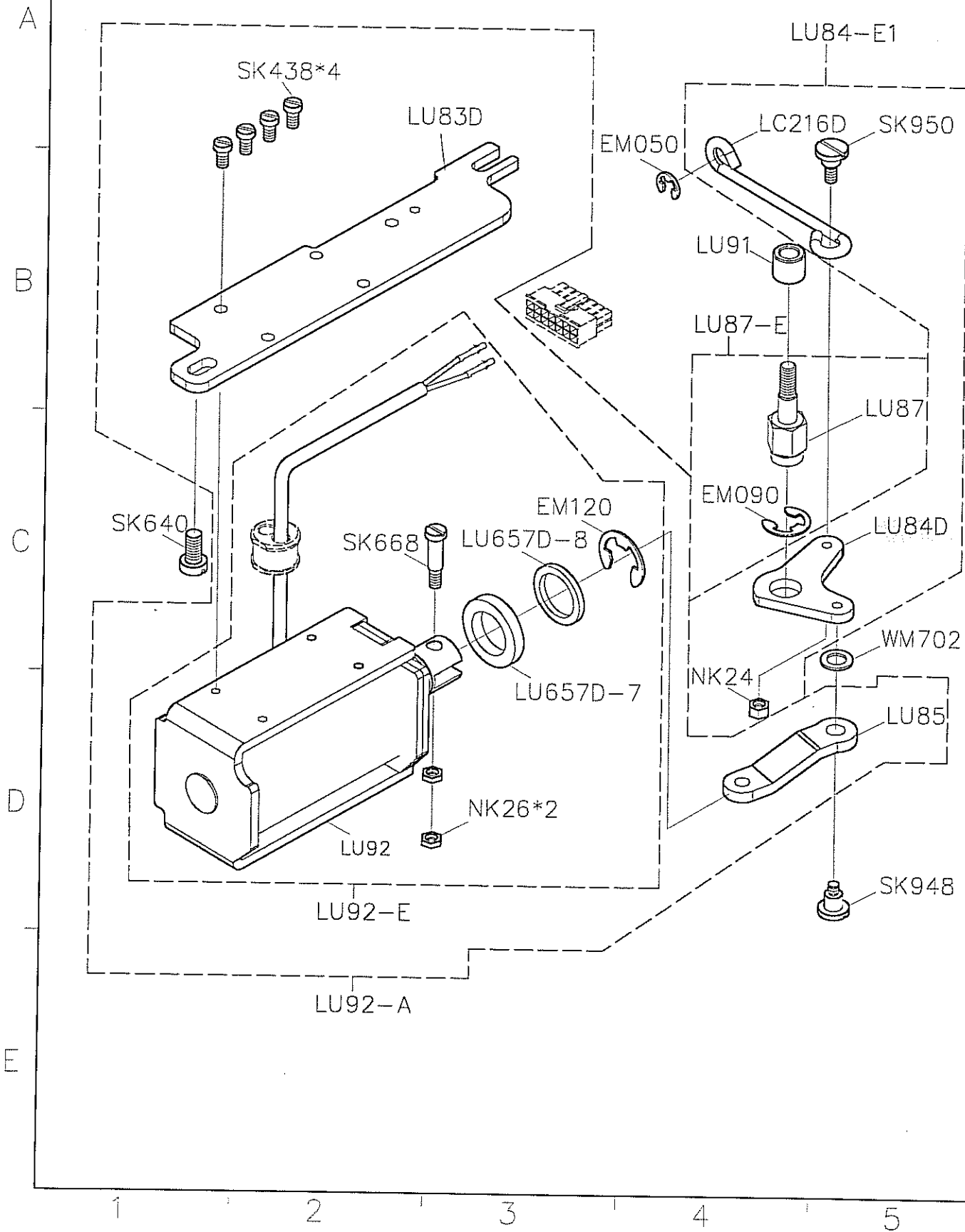




|                                    |               |                    |                          |             |
|------------------------------------|---------------|--------------------|--------------------------|-------------|
| <b>SIRUBA</b><br><b>PARTS LIST</b> | <b>Series</b> | <b>Parts Group</b> | <b>Subclass / Remark</b> | <b>Page</b> |
|                                    | DL7000-RM1    | LU                 |                          | 3/7         |
|                                    |               |                    |                          | <b>Date</b> |
|                                    |               |                    |                          | 2013/01/01  |

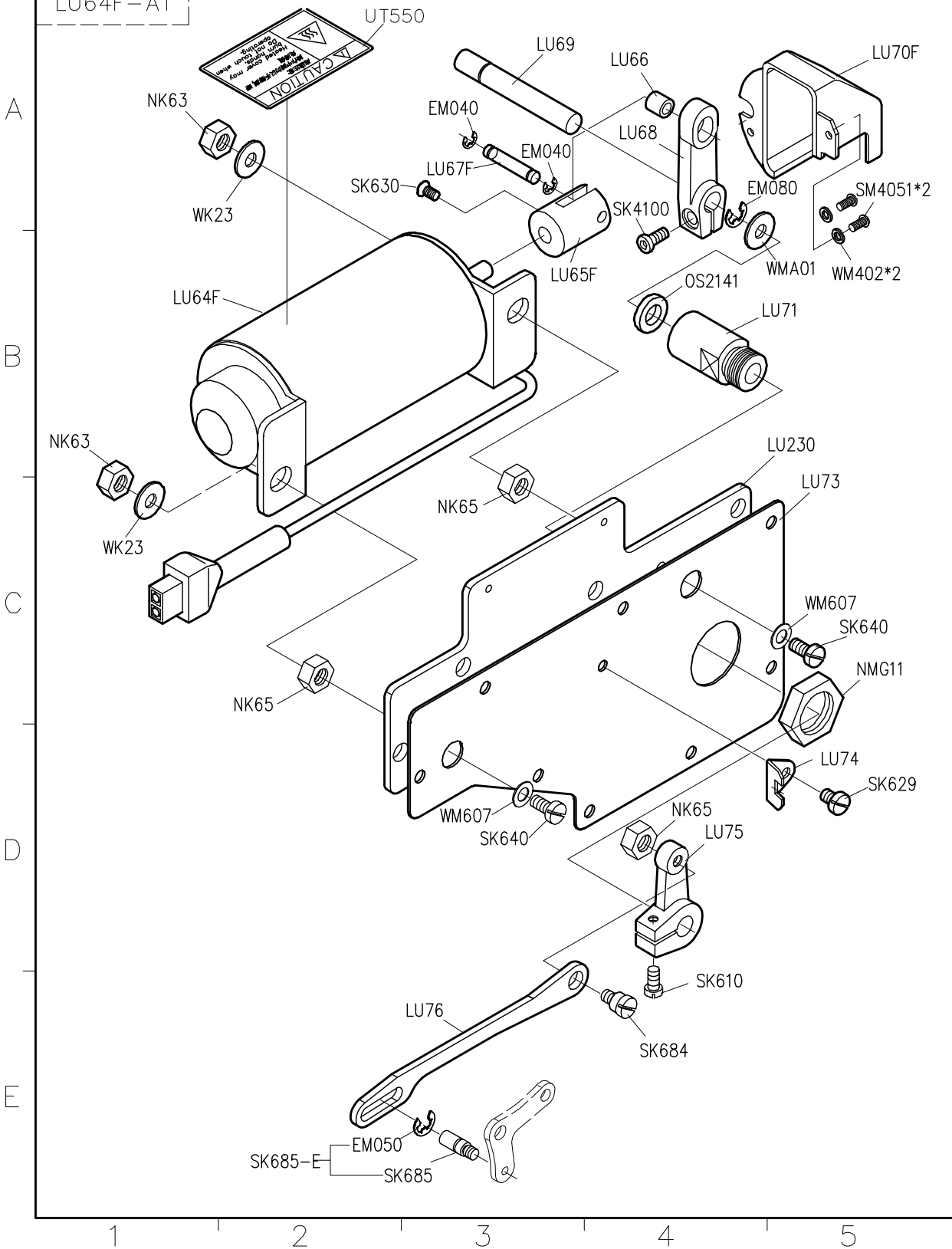


| SIRUBA<br>PARTS LIST | Series     | Parts Group | Subclass / Remark | Page       |
|----------------------|------------|-------------|-------------------|------------|
|                      | DL7000-RM1 | LU          |                   | 4/7        |
|                      |            |             |                   | Date       |
|                      |            |             |                   | 2013/09/02 |



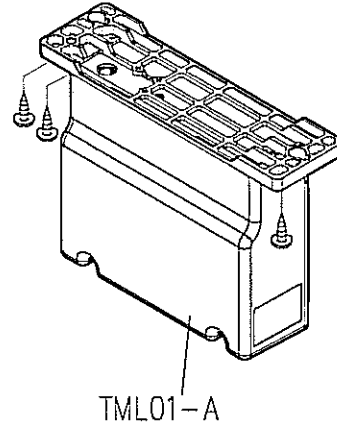
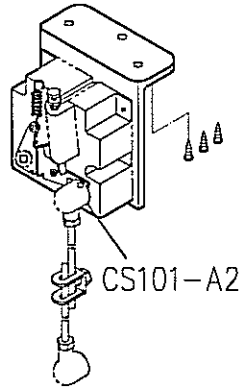
|                                    |                   |                    |                          |             |
|------------------------------------|-------------------|--------------------|--------------------------|-------------|
| <b>SIRUBA</b><br><b>PARTS LIST</b> | <b>Series</b>     | <b>Parts Group</b> | <b>Subclass / Remark</b> | <b>Page</b> |
|                                    | <b>DL7000-RM1</b> | <b>LU</b>          |                          | 5/7         |
|                                    |                   |                    |                          | <b>Date</b> |
|                                    |                   |                    |                          | 2013/01/01  |

LU64F-A1



|                             |            |             |                   |            |
|-----------------------------|------------|-------------|-------------------|------------|
| <b>SIRUBA</b><br>PARTS LIST | Series     | Parts Group | Subclass / Remark | Page       |
|                             | DL7000-RM1 | LU          |                   | 6/7        |
|                             |            |             |                   | Date       |
|                             |            |             |                   | 2013/09/13 |

A

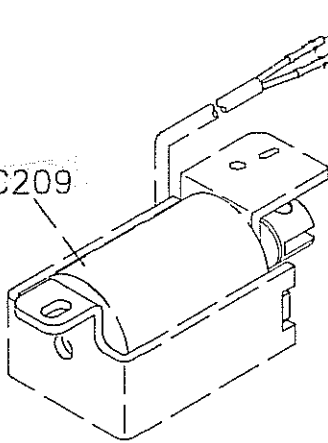


TML01-A

B

C

LC209

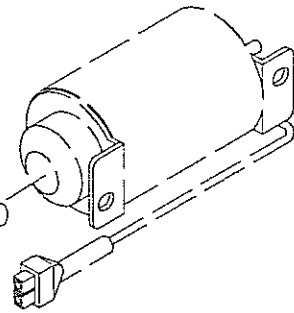


CP102

CP104

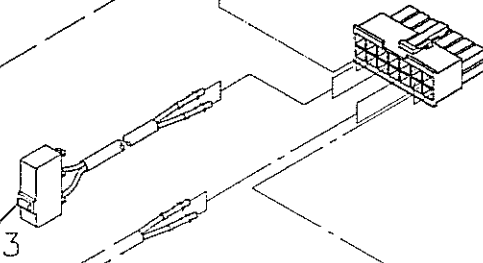


LU64D

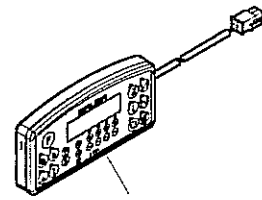


D

LU53

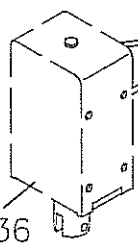


LU280-A

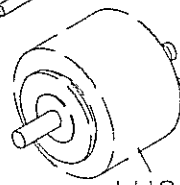


E

LU36



LU25



| 機 型          | CP102使用数量 | CP104使用数量 |
|--------------|-----------|-----------|
| DL7000-XX-10 | 1         | 1         |
| DL7000-XX-11 | 0         | 2         |
| DL7000-XX-12 | 1         | 1         |
| DL7000-XX-13 | 0         | 2         |

1

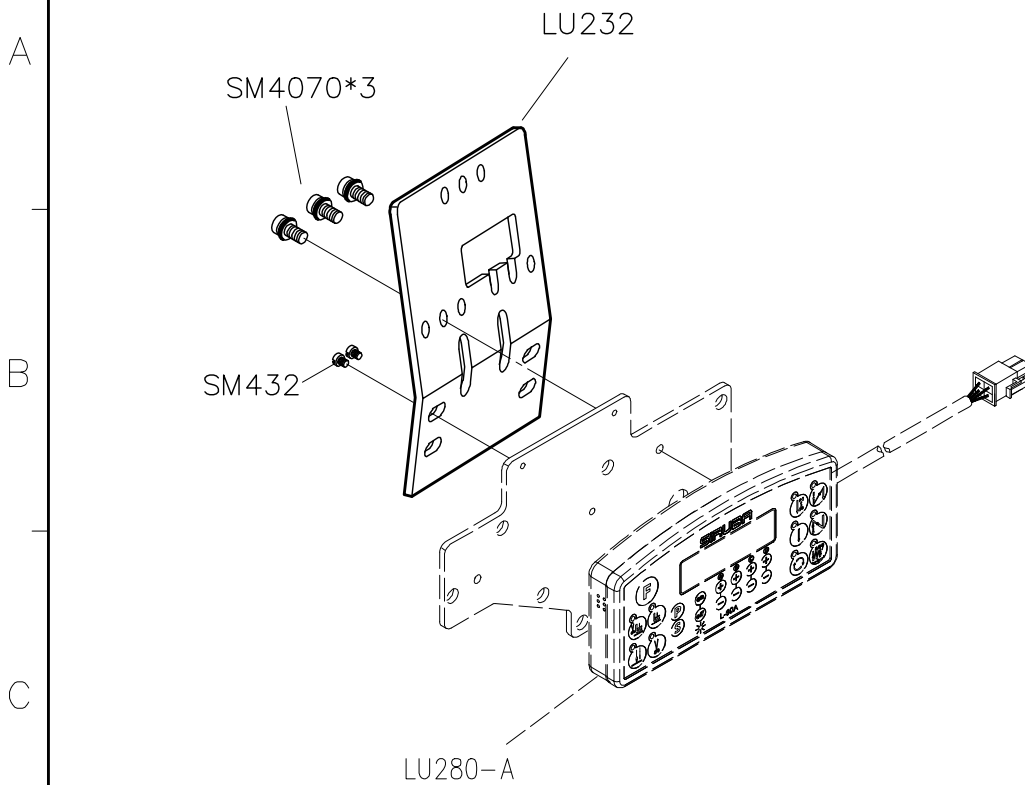
2

3

4

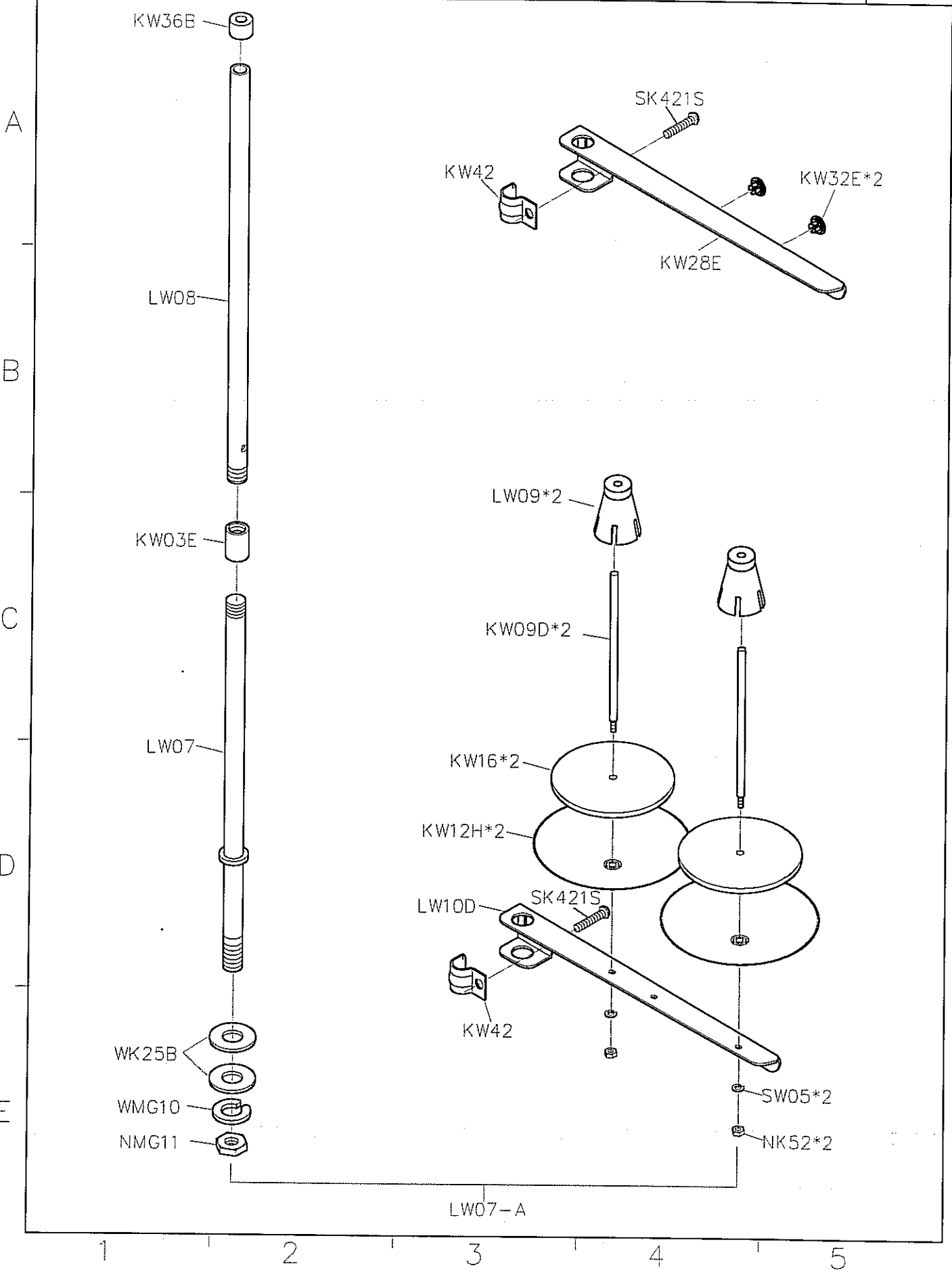
5

|                                    |               |                    |                          |             |
|------------------------------------|---------------|--------------------|--------------------------|-------------|
| <b>SIRUBA</b><br><b>PARTS LIST</b> | <b>Series</b> | <b>Parts Group</b> | <b>Subclass / Remark</b> | <b>Page</b> |
|                                    | DL7000-RM1    | LU                 |                          | 7/7         |
|                                    |               |                    |                          | <b>Date</b> |
|                                    |               |                    |                          | 2012/12/01  |

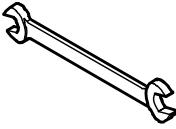
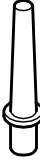
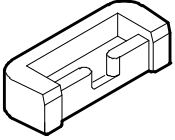
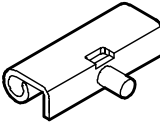


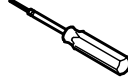


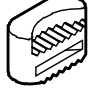



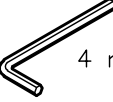

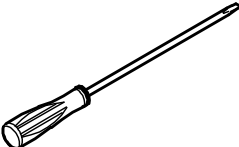
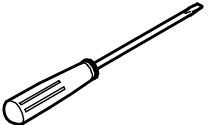
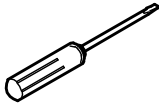



| 代碼 NO. | 操作面板<br>Control Panel | 代碼 NO. | 自動切線<br>Auto THREAD<br>Trimmer | 快速倒縫<br>Reverse<br>Feeding | 撥線桿<br>Wiper | 自動抬押具<br>Auto Lifer |
|--------|-----------------------|--------|--------------------------------|----------------------------|--------------|---------------------|
| 1      | LU280-A               | 0      | √                              | √                          | —            | —                   |
|        |                       | 1      | √                              | √                          | √            | —                   |
|        |                       | 2      | √                              | √                          | —            | √                   |
|        |                       | 3      | √                              | √                          | √            | √                   |

|                             |            |             |                   |            |
|-----------------------------|------------|-------------|-------------------|------------|
| <b>SIRUBA</b><br>PARTS LIST | Series     | Parts Group | Subclass / Remark | Page       |
|                             | DL7000-RM1 | <b>LW</b>   |                   | 1/1        |
|                             |            |             |                   | Date       |
|                             |            |             |                   | 2012/04/10 |



|                                    |               |                    |                          |             |
|------------------------------------|---------------|--------------------|--------------------------|-------------|
| <b>SIRUBA</b><br><b>PARTS LIST</b> | <b>Series</b> | <b>Parts Group</b> | <b>Subclass / Remark</b> | <b>Page</b> |
|                                    | DL7000-RM1    | LY                 |                          | 1/1         |
|                                    |               |                    |                          | <b>Date</b> |
|                                    |               |                    |                          | 2013/01/09  |

|   |                                                                                     |                                                                                     |                                                                                     |                                                                                           |                                                                                       |
|---|-------------------------------------------------------------------------------------|-------------------------------------------------------------------------------------|-------------------------------------------------------------------------------------|-------------------------------------------------------------------------------------------|---------------------------------------------------------------------------------------|
|   | LY01                                                                                | LY02                                                                                | YM04*2                                                                              | LY05*2                                                                                    | YM102*2                                                                               |
| A |    |    |    |         |    |
|   | LY37-A                                                                              | KY14                                                                                | ALT104S*2                                                                           | LY502K                                                                                    | YM103*2                                                                               |
| B |   |   |   |        |   |
|   | 針*2                                                                                 | LY38                                                                                | KY201                                                                               | MY12                                                                                      | G303                                                                                  |
| C |  |  |  |  4 mm |  |
|   | LY33                                                                                | LY34                                                                                | LY35                                                                                |                                                                                           | KZ03*1                                                                                |
| D |  |  |  |                                                                                           |  |
| E |                                                                                     |                                                                                     |                                                                                     |                                                                                           |                                                                                       |
|   | 1                                                                                   | 2                                                                                   | 3                                                                                   | 4                                                                                         | 5                                                                                     |

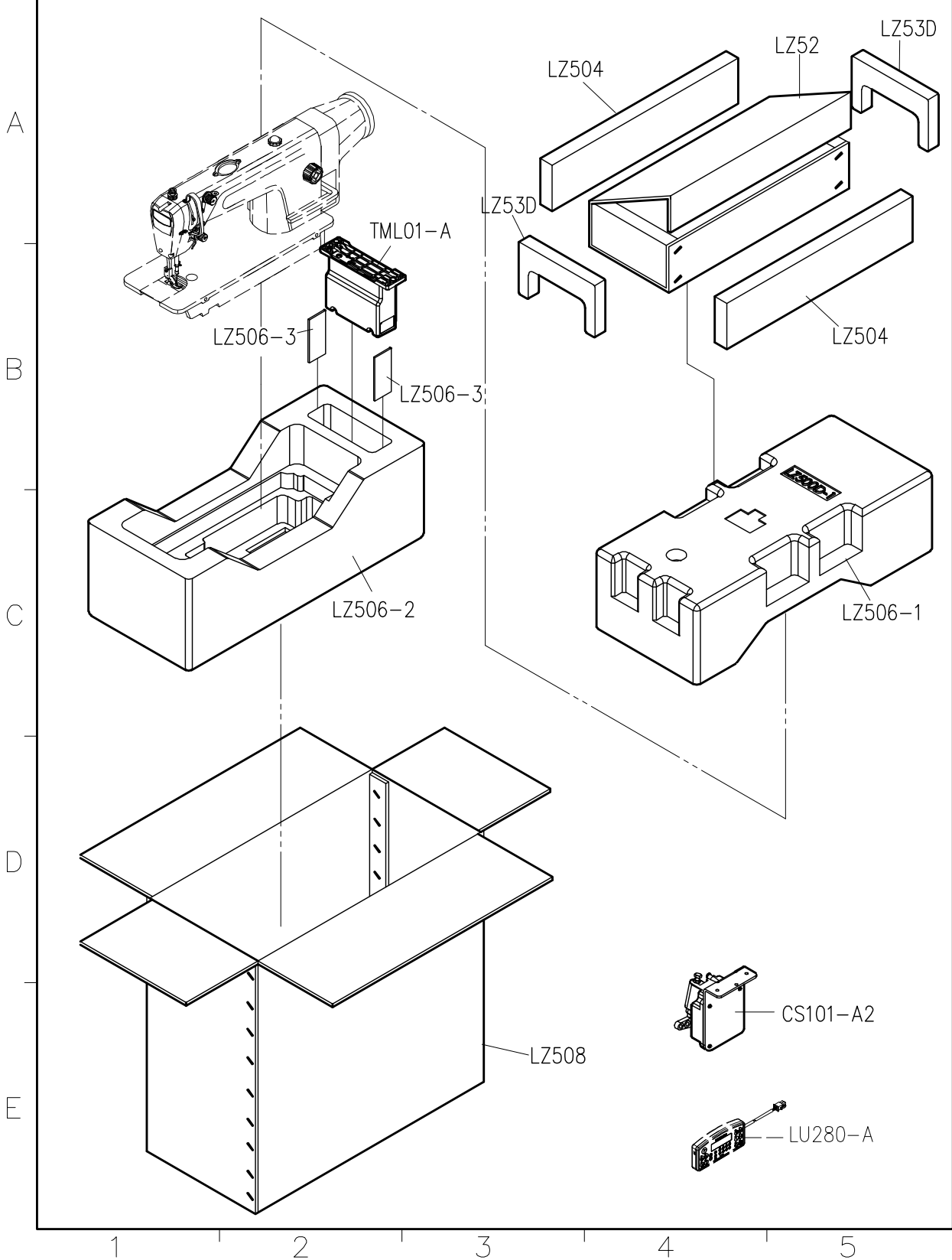
**SIRUBA**  
**PARTS LIST**

**Series**  
DL7000-RM1

**Parts Group**  
**LZ**

**Subclass / Remark**

**Page**  
1/1  
**Date**  
2013/01/01





**SIRUBA**

TABLE  
CUT - OUT

Series

DL7000

Item Code

DL7000T-T1

Subclass / Remark

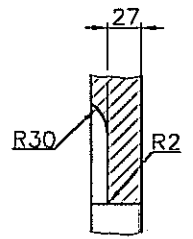
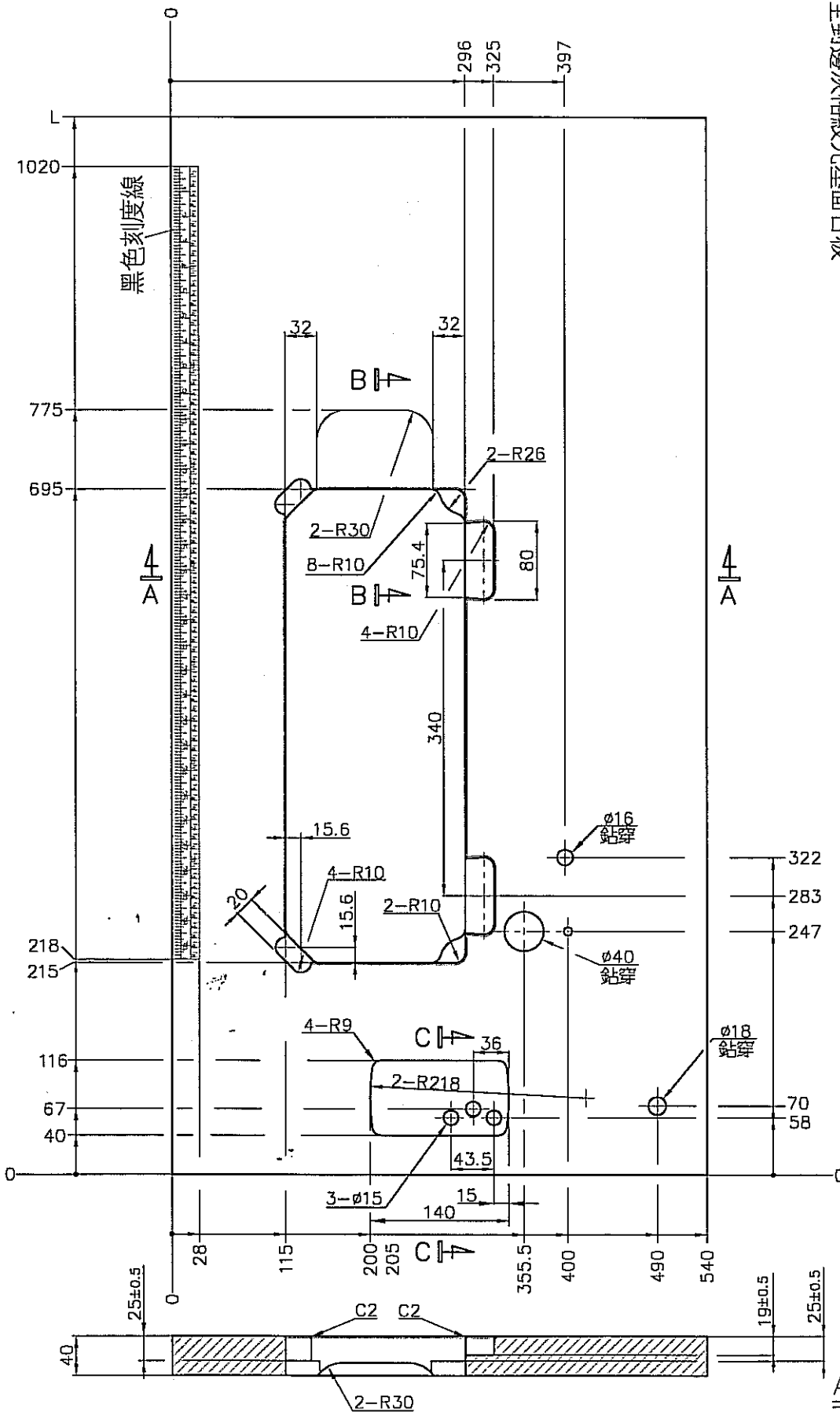
Mounting

Fully-submerged

Date

2013/03/10

單針高速直驅式平縫下乘式車板圖  
TABLE CUT-OUT SEMI-SUBMERGED  
單位/UNIT: mm  
所有尺寸公差/DIFFERENCE: ±2  
DL7000T-T1-1070 長度(L): 1070 / 重量: 10kg±5%  
DL7000T-T1 長度(L): 1200 / 重量: 11.4kg±5%  
全封邊灰格紋光塑面台板



B-B剖面



C-C剖面

A-A剖面